



Loving music

Ovation

User manual



Made in Germany

Hi-Fi Components **clearaudio electronic** GmbH

Spardorfer Str. 150 • D-91054 Erlangen • Tel. +49(0) 1805/059595 • FAX +49(0) 09131/51683
www.clearaudio.de • www.analogshop.de • info@clearaudio.de /clearaudio copyright © 2013

Version-1.3_18-03-13_E



Loving music

Ovation

User manual

Dear **clearaudio**-customer,

You have purchased a state-of-the-art turntable, the *Ovation*, a world class product of **clearaudio** electronic GmbH.
Congratulations on your purchase!

With the *Ovation* turntable, **clearaudio** made use of the OSC (Optical-Speed-Control) technology found in the Innovation turntables series by implanting it into a precision milled Panzerholz (bullet proof wood) chassis. This chassis is combined with an anti – resonance mat that is capable of absorbing a huge amount of energy. This is due to the use of more than 100,000 small stainless steel balls which absorb unwanted resonance.
Thus, the turntable combines the latest technology and innovation in a classic design, at a perfect price/performance ratio.

Please read this user manual carefully so that you can enjoy all the advantages of your *Ovation*-turntable. All information given will help to generate the best performance and avoid any possible damages.

We hope you will enjoy your new **clearaudio** *Ovation* -turntable.

clearaudio electronic GmbH

Please read the warnings before connecting your *Ovation* -turntable to the mains supply.

WARNINGS

Don't expose your turntable to rain or humidity.
Don't handle the mains leads with wet hands.
Don't place or insert anything into the equipment or through ventilation holes.
No naked flame sources, such as lighted candles, should be placed on the equipment.

CE-MARKING

CE The **clearaudio** *Ovation* meets the regulations concerning electromagnetic disturbance (EMC) and low-voltage appliances.

COPYRIGHT

Recording und reproduction of any sound-material may require the consent of the creator.
Please acknowledge the information given in the

- Copyright Act 1956,
- Dramatic and Musical Performers Act 1958,
- Performers Protection Acts 1963 and 1072,
- any more recent legal regulations.



Loving music

Ovation

User manual



User manual

1 – 14

Contents

1. Packaging overview	4
2. Set-up and operation	5
3. Service	11
4. Special directions	12
5. Technical data	13
Warranty information	14

1. Packaging overview

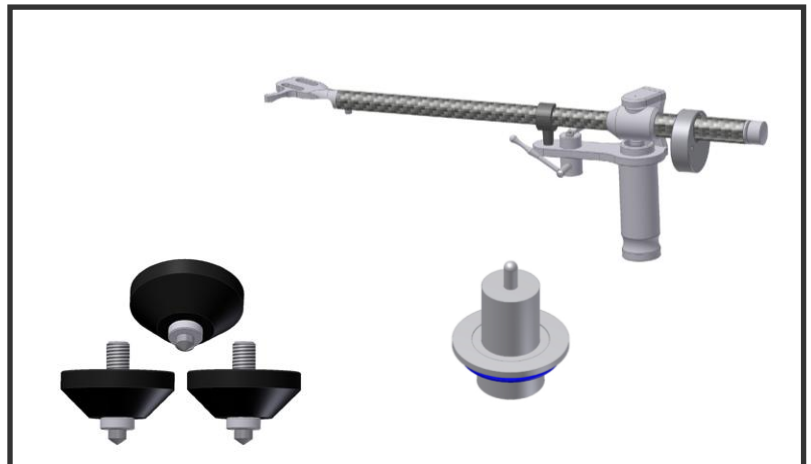
The **clearaudio** *Ovation*-turntable is delivered in specially designed custom packaging.

Please check the contents according to the following list before you set up your new **clearaudio** *Ovation* -turntable.

1. Layer (top):

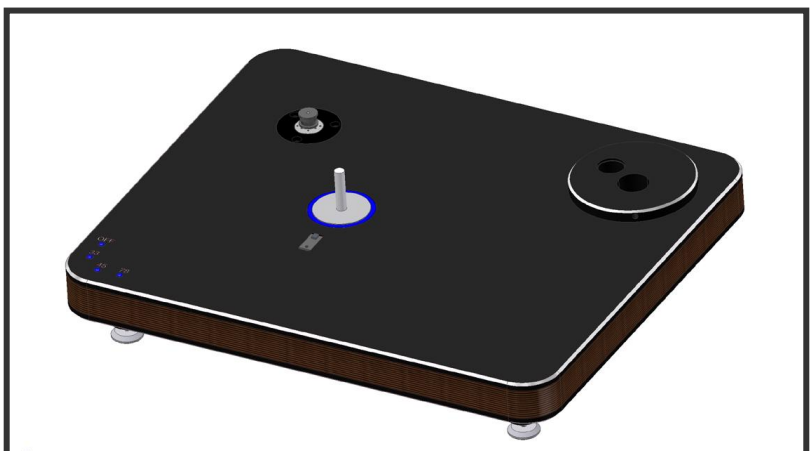
Top of bearing, belt, fittings and accessories (Quality and warranty card, bearing oil)

If ordered as set: tonearm and/or pickup



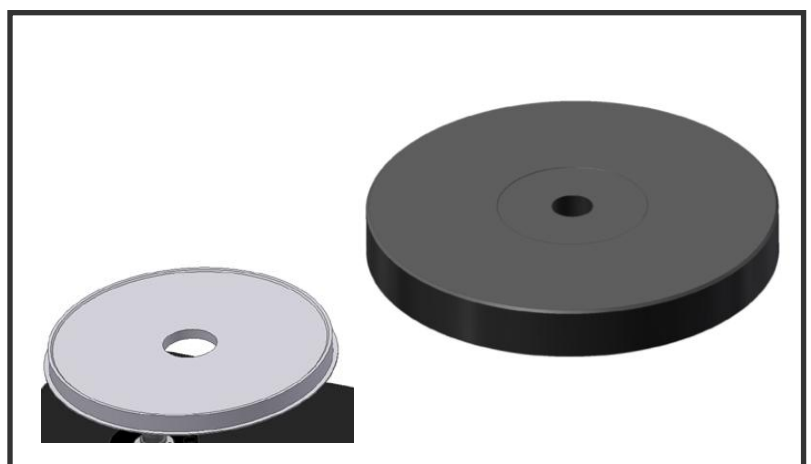
2. Layer (middle):

Turntable - chassis



3. Layer (bottom):

Platter, aluminium sub-platter



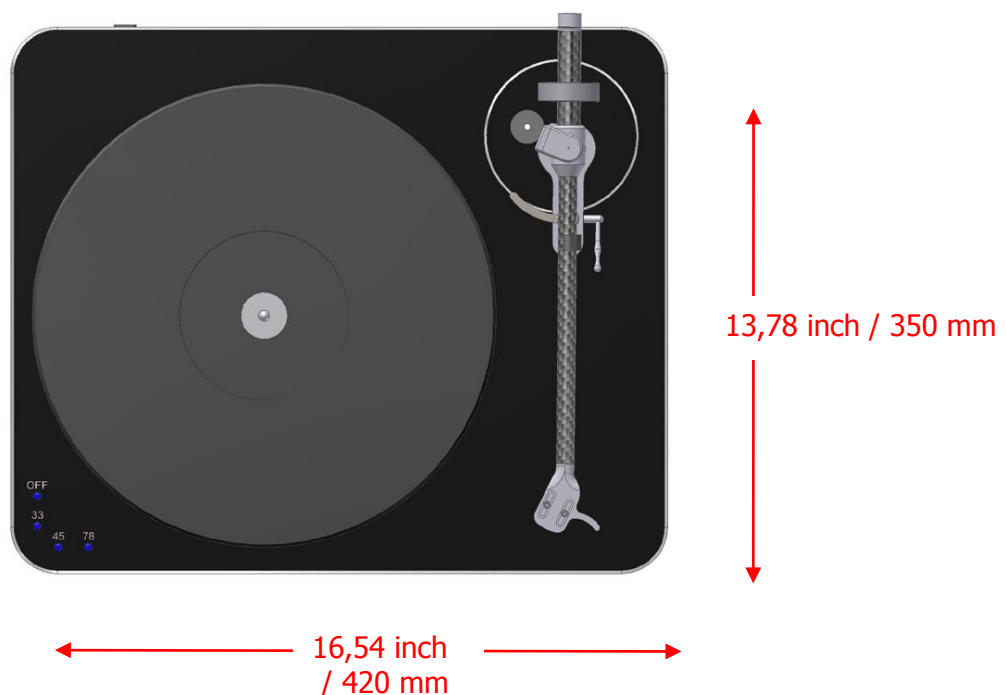
IMPORTANT NOTICE: Please double check the tightness of all bolts and armboard mounting hardware, as temperature fluctuations during transit may have caused the hardware to become loose.

2. Set-up and operation

The *Ovation* -turntable consists of several components, as described in No 1 (Packing overview). The set up is easy, as some of the components are pre-assembled at the factory. Please make use of the white gloves enclosed in order to avoid scratches or unwanted fingerprints (e.g on the platter).

Please follow the instructions step by step:

The *Ovation* requires a space of at least 16.54 inch x 13.78 inch for positioning.



Pic. 1: Setting up space

2.1

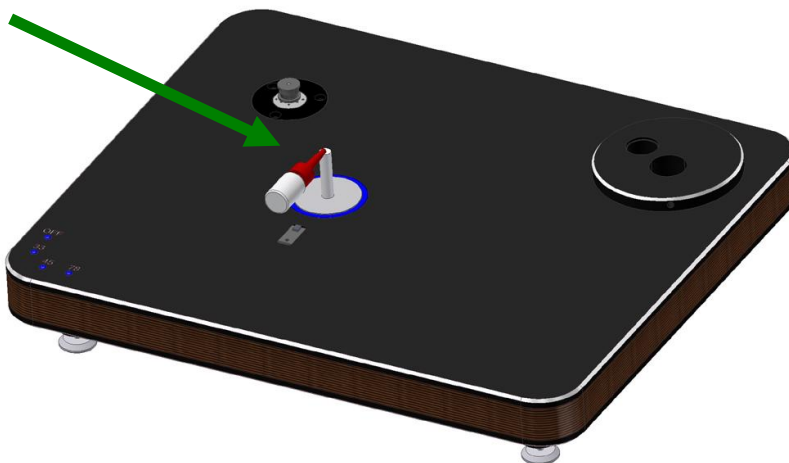
Place the pre-mounted chassis on your hifi-rack or another suitable surface.



Pic. 2: Ovation chassis

2.2

Please remove the protective seal from the bearing shaft and place two drops of the synthetic bearing oil on the ceramic bearing shaft. Slip the bearing top onto the bearing shaft of the turntable.



Pic. 3: Bearing oil

2.3

Now you can set the bearing upper part carefully onto the bearing. To avoid damages make sure you slide the bearing upper part slowly and carefully on the polished ceramic shaft.



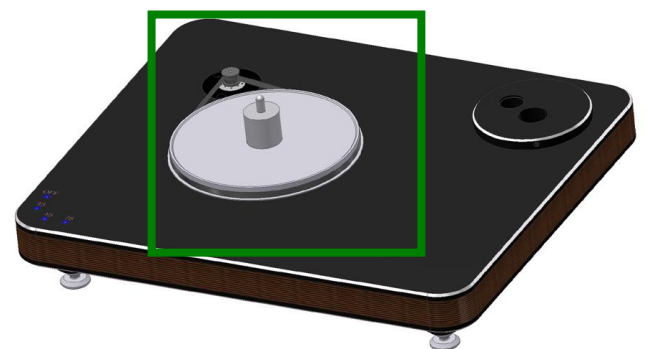
Pic. 4: Fitting the bearing upper part

2.4

Now you can set the sub-platter carefully onto the bearing. First remove the security mat on the backside of the sub-platter (security tape for OSC - graduated collar (Optical Speed Control)). To avoid any damage, make sure you slide the sub-platter slowly and carefully onto the bearing. After that, take the included belt and place it around the motor and the sub-platter. At this point the sub-platter will be higher than the pulley. This is normal, as the CMB requires the weight of the platter to fully engage it.



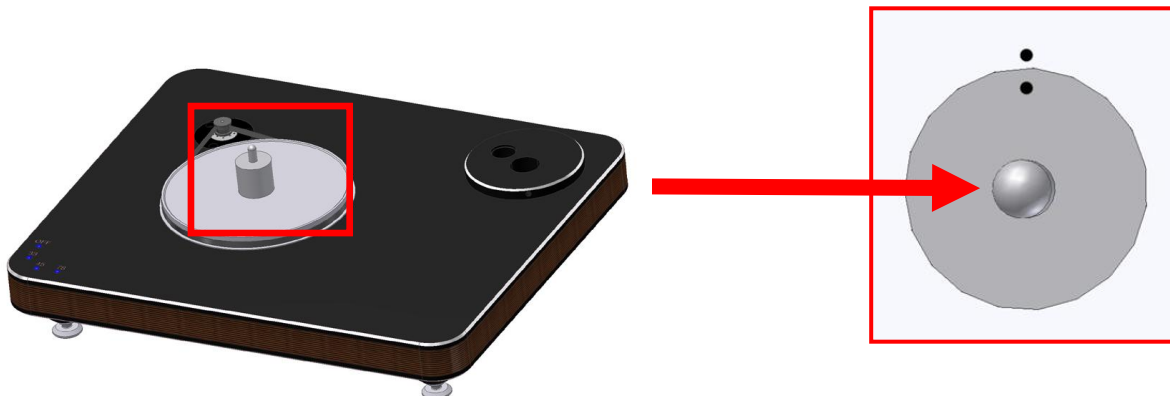
Pic. 5: Setting the sub-platter



Pic. 5.1: Moving the belt

Please note:

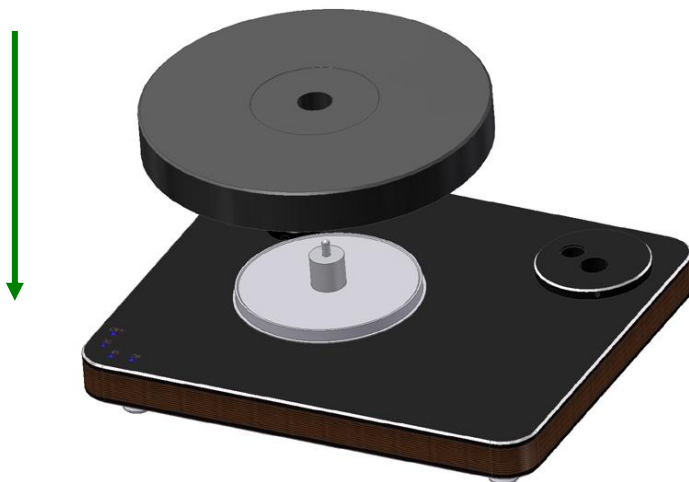
The marks (dots) on the sub-platter and the top of the bearing have been carefully measured. Please make sure they align exactly as shown in picture below:



Pic. 6: Congruence of sub-platter and bearing markings

2.5

Now you can set the platter carefully onto the bearing. To avoid damage, make sure you slide the platter slowly and cautiously on the sub-platter/ bearing assembly. Hold the platter securely, so the platter does not slip or fall on your turntable.



Pic. 7: Setting the platter onto the bearing

2.6

Please check with the bubble level gauge, if your *Ovation* turntable is in a level position.

You can adjust each of the turntable's feet to get the turntable level. Only if the turntable is in a level position will you get the best results with your turntable.



Pic. 8: Adjustment of the height

Adjust the height by turning the threaded spike feet. When the table is properly level, lock the feet in place with the nut (see below).



Pic. 8.1: Adjustment of the height

2.7

For tonearm and cartridge mounting please refer to the user manual of the respective manufacturer.

Now you can connect the *Ovation* turntable with the main supply.



Pic. 9: Connection to the main supply

2.8 Speed fine adjustment

The motor adjustment is already pre set at the factory. Because of handling or because of soiling of the sensor or the sensor ring, some small speed deviations can occur. Please check the speed before using the turntable for the first time.

For the correct adjustment of the speed, please put the recommended **clearaudio** Stroboscope Testrecord on the platter. Follow the instructions of the Stroboscope Testrecord user manual. To check the speed with highest accuracy please use the **clearaudio** Speed Light (AC039)

On the backside (close to the power supply input) of your turntable there are three setting trimmers:



- right trimmer = setting 33 1/3 rpm (near power supply jack)
- middle trimmer = setting 45 rpm
- left trimmer = setting 78 rpm

Pic. 10: Speed fine adjustment

If you would like to adjust the 33 1/3 speed, take the aluminium screw driver (see accessories) and turn the right trimmer until you have reached the right speed according to the Stroboscope Testrecord (see user manual "Stroboscope Testrecord").

- Turning the trimmer counter clockwise = reduces the turntable speed
- Turning the trimmer clockwise = increases the turntable speed

Please proceed with the speed adjustment for 45 rpm and 78 rpm in the same way!



Loving music

Ovation

User manual

Please note:

If the turntable does not reach the correct speed, the sensor or the scale ring could be dirty or dusty.

To clean the sensor, please take off the two platters very carefully!

Clean the sensor and the scale ring with a little isopropyl alcohol and a cotton bud.

Be careful to avoid scratching the sensor or the scale ring!

If the motor has further speed issues please contact your nearest authorized **clearaudio** dealer or directly the **clearaudio** factory.

Now you are finally ready to play your vinyl records!

We wish you a lot of pleasure with your new *Ovation* - turntable.

3. Service

If any service or repair on all **clearaudio** products is necessary, please contact your dealer / distributor or contact **clearaudio** directly. We can inform you about your nearest service location.

Transportation advice:

If any transportation of the *Ovation* -turntable should be necessary, please always remove the turntable platter. Otherwise serious damage can occur!

The bearing hole needs to be covered as well, to avoid any dust coming into the bearing. Always take of the pulley of the motor unit as well, to prevent the motor shaft from any damages.

PLEASE RETAIN ALL ORIGINAL PACKAGING. You will need it if this unit has to be transported and/or shipped. Any further questions you may have about this turntable should be directed to the distributor or directly to **clearaudio** at

clearaudio electronic GmbH

Spardorfer Str 150
91054 Erlangen
Germany

Tel/Phone: +49-(0)1805/059595

www.clearaudio.de
www.analogshop.de
info@clearaudio.de



Loving music

Ovation

User manual

4. Special directions

The **clearaudio** *Ovation* does not require extensive maintenance.

If the *Ovation* turntable is not in use for a long period of time, please disconnect the wall wart supply from the mains supply.

Every year, or if you notice speed variations, you can lubricate the bearing of the turntable platter with the supplied oil. Please use 4 to 5 drops of the oil onto the bearing shaft.

For a new that turntable has recently been shipped, has been un-used for a significant period of time, or has recently been shipped or transported to a different environment, it is advisable to double-check and re-tighten all chassis and armboard bolts on the underside of the turntable. Due to the various materials used in the turntable plinth that can expand or contract at different rates as a result of temperature and humidity changes, these bolts may become loose and need to be re-tightened.

Don't use harsh cleaning fluids for the *Ovation* turntable. A few drops of window cleaner diluted in water is recommended. Dry all cleaned parts with a fine cotton cloth carefully. Under **no** circumstances should **spirit** or **alcohol** based fluids be used, as this could cause surface damage!

Please take care not to damage the power cord. Any damage should be repaired by authorized personnel only. A damaged power cord must be exchanged immediately!

To achieve the full **clearaudio** warranty, it is necessary that you fill out and send your warranty sheet to **Musical Surroundings** within 90 days after purchase. Only if the product is returned in it's original packing can warranty service be provided.

Transportation advice:

If any transportation of the *Ovation* -turntable should be necessary, please always remove the turntable platter. Otherwise serious damage can occur!

The bearing hole needs to be covered as well, to avoid dust entering into the bearing. Always take off the pulley of the motor unit as well, to prevent the motor shaft from being damaged.



5. Technical data

Construction:	Resonance-optimised chassis, We recommend: tonearm with magnetic bearing technology (clearaudio Magnify or Verify)
Speed ranges:	33 1/3, 45 and 78 RPM
Drive unit (motor):	Decoupled DC motor in chassis, resonance damping device
Rumble:	DIN IEC 98 by method A / 92 dB
Bearing:	Polished ceramic shaft in a sintered bronze bushing, magnetic bearing (CMB)
Platter:	Black coloured POM, 38 mm thickness
Speed variation:	+/- 0.03 %
Weight:	Approx. 13,5 kg incl. motor
Dimensions: Width/Depth/Height	In mm approx: 420 x 350 x 115 in inch approx: 16.54 x 13.78 x 4.53
Warranty*:	2 years (5* years)

* Only if the warranty card is filled out correctly and sent back in time to **clearaudio**.

Clearaudio electronic is not responsible for typographical errors in descriptions. Technical specifications subject to change or improvement without prior notice. Availability as long as stock lasts. Copies and imprints- also only in extracts – require written conformation through **clearaudio** electronic GmbH; Germany © clearaudio electronic GmbH 2011

Version: March 2013



Loving music

Ovation

User manual

The warranty time for the *Ovation* turntable is 2 years.

To achieve the full **clearaudio** warranty of 5 years, it is necessary that you fill out and send the corresponding part of the warranty registration certificate /card back to **clearaudio**, within two weeks after purchase. Only if the product is returned in it's original packing **clearaudio** can provide the warranty of 5 years.

ENGLISH WARRANTY

For warranty information, contact your local clearaudio distributor.

RETAIN YOUR PURCHASE RECEIPT

Your purchase receipt is your permanent record of a valuable purchase.

It should be kept in a safe place to be referred to as necessary for insurance purposes or when corresponding with clearaudio.

IMPORTANT

When seeking warranty service, it is the responsibility of the consumer to establish proof and date of purchase. Your purchase receipt or invoice is adequate for such proof.

FOR U.K. ONLY

This undertaking is in addition to a consumer's statutory rights and does not affect those rights in any way.

FRANÇAIS

GARANTIE

Pour des informations sur la garantie, contacter le distributeur local clearaudio.

CONSERVER L'ATTESTATION D'ACHAT

L'attestation d'achat est la preuve permanente d'un achat de valeur. La conserver en lieu sûr pour s'y reporter aux fins d'obtention d'une couverture d'assurance ou dans le cadre de correspondances avec clearaudio.

IMPORTANT

Pour l'obtention d'un service couvert par la garantie, il incombe au client d'établir la preuve de l'achat et d'en corroborer la date. Le reçu ou la facture constituent des preuves suffisantes.

DEUTSCH

GARANTIE

Bei Garantiefragen wenden Sie sich bitte zunächst an Ihren clearaudio-Händler.

Heben Sie Ihren Kaufbeleg gut auf.

WICHTIG!

Die Angaben auf Ihrer Quittung erlauben uns die Identifizierung Ihres Gerätes und belegen mit dem Kaufdatum die Dauer Ihrer Garantie-Ansprüche.

Für Serviceleistungen benötigen wir stets die Gerätenummer.

Diese finden Sie auf dem Typenschild auf der Rückseite des Gerätes oder auch in der beigefügten Garantie-Registrierte Karte.

NEDERLANDS

GARANTIE

Voor inlichtingen omtrent garantie dient u zich tot uw plaatselijke clearaudio.

UW KWITANTIE, KASSABON E.D. BEWAREN

Uw kwitantie, kassabon e.d. vormen uw bewijs van aankoop van een waardevol artikel en dienen op een veilige plaats bewaard te worden voor evt, verwijzing bijv, in verbend met verzekering of bij correspondentie met clearaudio.

BELANGRIJK

Bij een evt, beroep op de garantie is het de verantwoordelijkheid van de consument een gedateerd bewijs van aankoop te tonen. Uw kassabon of factuur zijn voldoende bewijs.

ITALIANO

GARANZIA

L'apparecchio è coperto da una garanzia di buon funzionamento della durata di un anno, o del periodo previsto dalla legge, a partire dalla data di acquisto comprovata da un documento attestante il nominativo del Rivenditore e la data di vendita. La garanzia sarà prestata con la sostituzione o la riparazione gratuita delle parti difettose.

Non sono coperti da garanzia difetti derivanti da uso improprio, errata installazione, manutenzione effettuata da personale non autorizzato o, comunque, da circostanze che non possano riferirsi a difetti di funzionamento dell'apparecchio. Sono inoltre esclusi dalla garanzia gli interventi inerenti l'installazione e l'allacciamento agli impianti di alimentazione.

Gli apparecchi verranno riparati presso i nostri Centri di Assistenza Autorizzati. Le spese ed i rischi di trasporto sono a carico del cliente. La casa costruttrice declina ogni responsabilità per danni diretti o indiretti provocati dalla inosservanza delle prescrizioni di installazione, uso e manutenzione dettagliate nel presente manuale o per guasti dovuti ad uso continuato a fini professionali.

ESPAÑOL

GARANTIA

Para obtener información acerca de la garantía póngase en contacto con su distribuidor clearaudio.

GUARDE SU RECIBO DE COMPRA

Su recibo de compra es su prueba permanente de haber adquirido un aparato de valor. Este recibo deberá guardarlo en un lugar seguro y utilizarlo como referencia cuando tenga que hacer uso del seguro o se ponga en contacto con clearaudio.

IMPORTANTE

Cuando solicite el servicio otorgado por la garantía el usuario tiene la responsabilidad de demostrar cuándo efectuó la compra. En este caso, su recibo de compra será la prueba apropiada.